

302KS

P/N : CW31931-402

SUBREV : E

DRAWN BY : WDC

DATE : 12.07.12

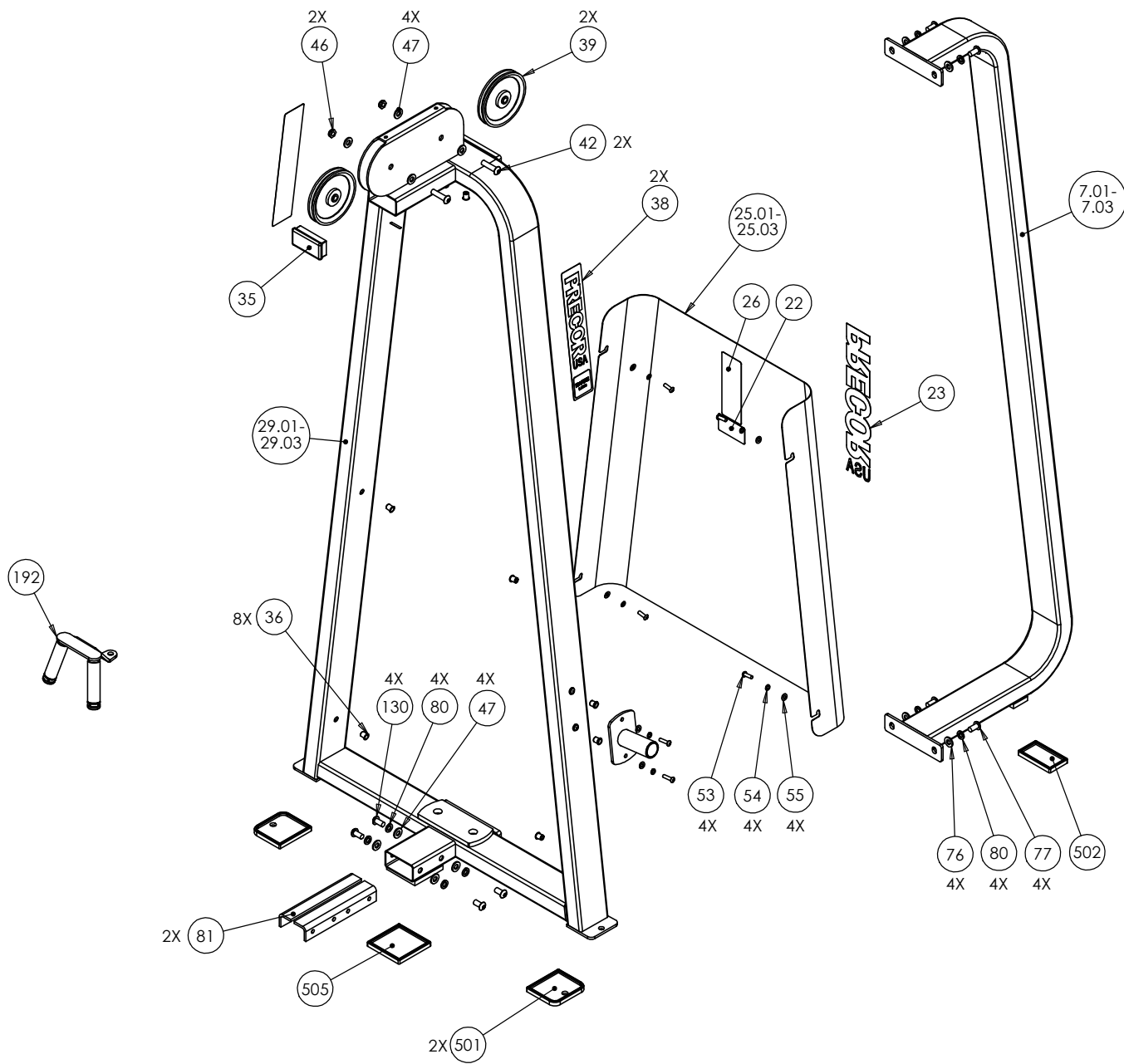
SHEET 1 OF 4

4

3

2

1

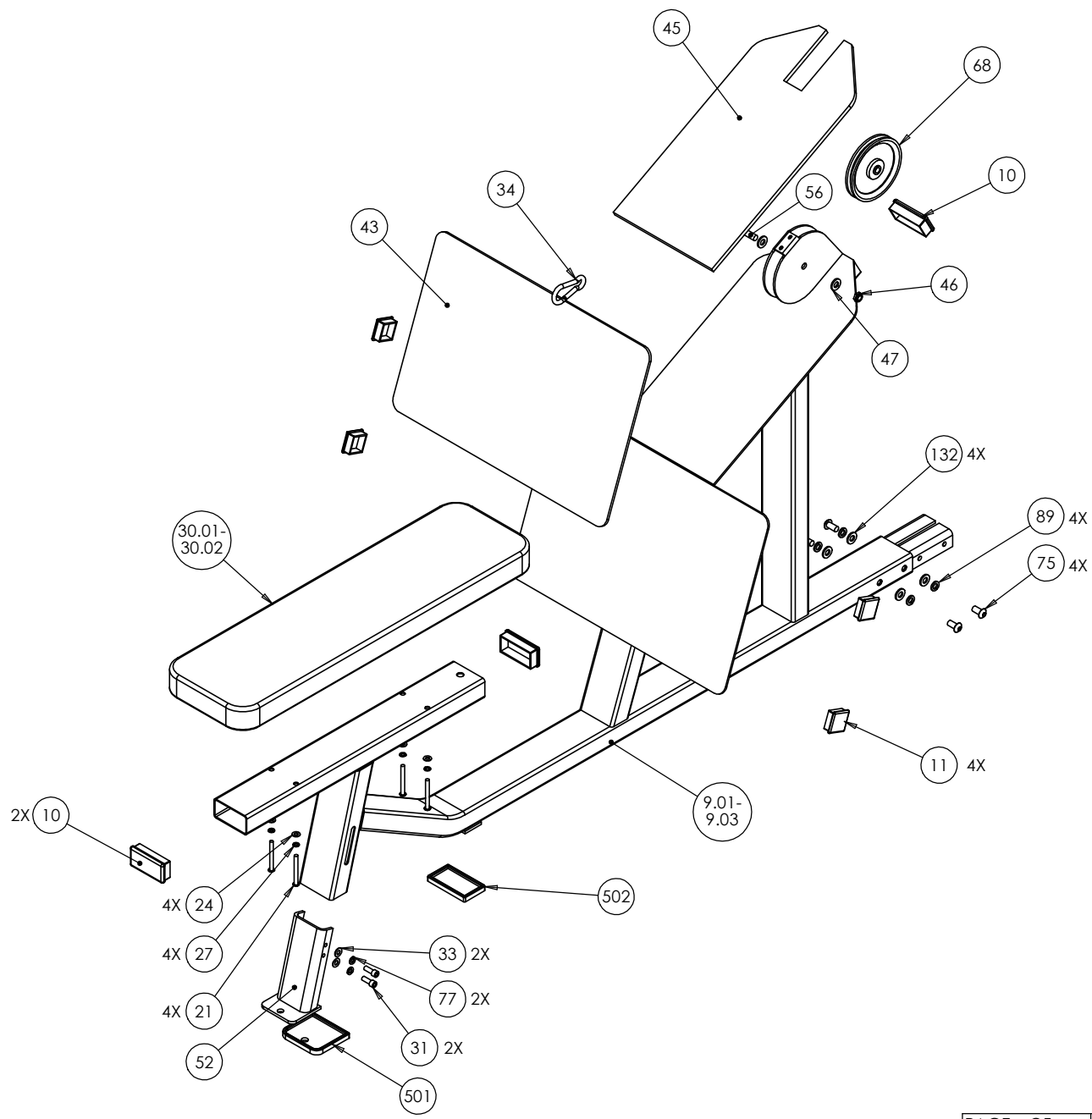


4

3

2

1

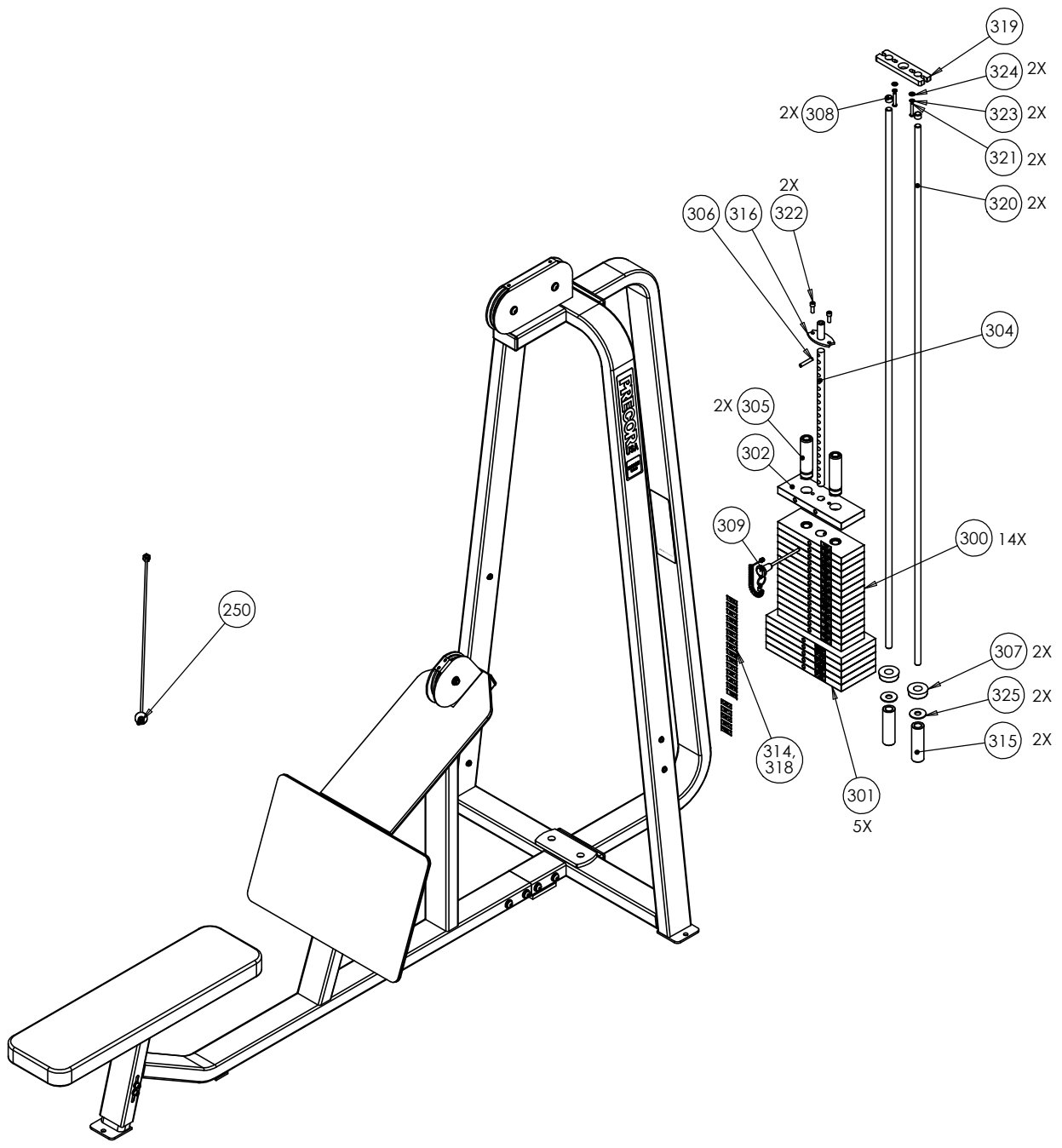


4

3

2

1



302KS Longpull

Part Number	Description	Bubble Number
CW11311-102	ENDCAP, REC TUBE, 2X4, BLK PLASTIC	10
CW11311-103	ENDCAP, REC TUBE, 2X2, BLK PLASTIC	11
CWTAYN031-325	SCREW, BUTTON HEAD, BLK XYLAN, 5/16	21
CWWBKN031-007	WASHER, FLAT, TYPE A, SAE, 5/16 ID	24
CW32839-301	ASSY, SHROUD, #8, TOP, CUSTOM	25.02
CWWALYN031-008	WASHER, SPLIT, 5/16 ID, BL	27
CWCAYN038-100	SCREW, SOCKET HEAD, BLK XYLAN, 3/8	31
CWWALYN050-013	WASHER, SPLIT, 1/2 ID, BLK XYLAN	32
CWWBKN038-007	WASHER, FLAT, TYPE A, SAE, 3/8 ID	33
CW11311-102	ENDCAP, REC TUBE, 2X4, BLK PLASTIC	35
CW12537-109	NUT,INSERT,THIN-NUT,LARGE FLANGE	36
CWTAYN050-100	SCREW, BUTTON HEAD, BLK XYLAN, 1/2	37
CW31756-101	LABEL, PRECOR USA ICARIAN LINE	38
CWAC1010-101	PULLEY, 6 DIA X 1/2 ID	39
CWTAYN050-200	SCREW, BUTTON HEAD, BLK XYLAN, 1/2	42
CW36250-101	CUT PIECE, CREPE, 1/4 THICK, 26.06	43
CW36249-101	CUT PIECE, CREPE, 1/4 THICK, 23.88	45
CWKAYN050-031	LOCKNUT, NYLON INSERT, HALF, UNC, 1	46
CWWBKN050-010	WASHER, FLAT, TYPE A, SAE, 1/2 ID X	47
CW30245-733	WELDMENT, ADJ. LEVELING FOOT, BLK Z	52
CWTAYN031-100	SCREW, BUTTON HEAD, BLK XYLAN, 5/16	53
CWWALYN031-008	WASHER, SPLIT, 5/16 ID, BL	54
CWWBKN031-007	WASHER, FLAT, TYPE A, SAE, 5/16 ID	55
CWTAYN050-200	SCREW, BUTTON HEAD, BLK XYLAN, 1/2	56
CWAC1010-101	PULLEY, 6 DIA X 1/2 ID	68
CWWBKN050-010	WASHER, FLAT, TYPE A, SAE, 1/2 ID X	76
CWWALYN038-009	WASHER, SPLIT, 3/8 ID, BLK XYLAN	77
CWWALYN050-013	WASHER, SPLIT, 1/2 ID, BLK XYLAN	80
CWWBKN050-010	WASHER, FLAT, TYPE A, SAE, 1/2 ID X	89
CWTAYN050-100	SCREW, BUTTON HEAD, BLK XYLAN, 1/2	130
CW31595-731	HANDLE, NARROW GRIP ROW, BLACK ZINC	192
CW31597-731	HANDLE, WIDE GRIP ROW, BLACK ZINC	193
CWAC4020-101	ACCESSORY, HANDLE , DOUBLE D, SOLID	194
CWAC1133-101	BUSHING, WEIGHT PLATE, LDPE PLASTIC	203
CWCLGY133-750	ASSY, CABLE, MARINE EYES, 302S	250
CW10519-721	PLATE, WEIGHT, 20 LBS, WRKL BLK	279
CW10510-721	ASSY, PLATE, WEIGHT, 10 LBS, WRKL B	300
CW10520-721	ASSY, PLATE, WEIGHT, 20 LBS, WRKL B	301
CW10550-723	PLATE, WEIGHT, MED TOP (MTP-S), 10	302
CW30132-712	SELECTOR STEM, 20 PLATE,0.875 DIA,	304
CW30184-902	ASSY,BARREL,TOP PLATE,ALUMINUM,TALL	305
CW58004-101	WEIGHT STACK BUSHING KIT, KS SERIES	305
CWLDNN038-200	SLOTTED PIN SPRING, DIA 3/8 X 2	306
CW12402-101	BUMPER, ID 1.050, BLK RUBBER	307
CW12404-101	CAP, GUIDE ROD,DIA 3/4, BLK	308
CW33870-102	ASSEMBLY, 5" WEIGHT STACK PIN & LEA	309
CW32937-101	WEIGHT STACK LABELS, 10-250, STAGGE	314
CW33323-721	STACK RISER, 5 INCH, WRINKLE BLACK	315

CW32663-741	WELDMENT, BOLT ON TOP PLATE MINI ST	316
CW32938-101	WEIGHT STACK LABELS, 10-300, STAGGE	318
CWPF1016-101	UHMWPE, GUIDE ROD CAPTURE PLATE	319
CWPF1218-712	GUIDE ROD, DIA 3/4, #8, CHM	320
CWTAYN031-150	SCREW, BUTTON HEAD, BLK XYLAN, 5/16	321
CWTAYN031-175	SCREW, BUTTON HEAD, BLK XYLAN, 5/16	321
CWCAYN038-100	SCREW, SOCKET HEAD, BLK XYLAN, 3/8	322
CWWALYN031-008	WASHER, SPLIT, 5/16 ID, BL	323
CWWBKN031-007	WASHER, FLAT, TYPE A, SAE, 5/16 ID	324
CWWCKN075-015	WASHER, FLAT, TYPE A, WIDE, 3/4 ID	325
CW58004-101	WEIGHT STACK BUSHING KIT, KS SERIES	600